

PREMIER CABINET LINE

CABINETS & CORNERS WITH ADJUSTABLE OPENINGS

FIG: A
CORNER

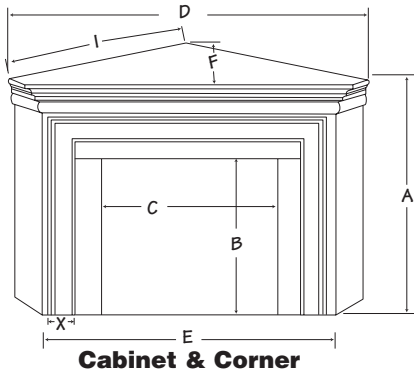
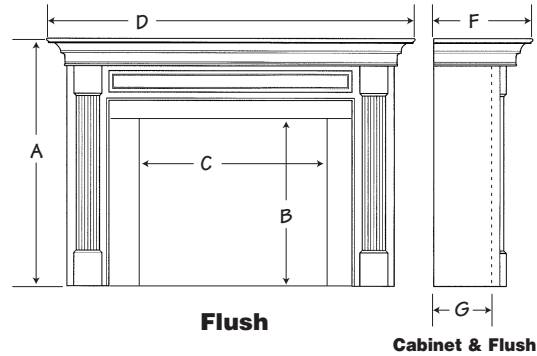


FIG B:
CABINET



MODEL	Overall Opening			Overall Opening		Cabinet		Corner		Cabinet		Corner	
	A	Height "B"	Width "C"	D	D	E	F	F	G	G	I		
CMP	40	30.00	30.00	48.00	55.00	42.00	18.75	31.00	14.00	26.00	39.00		
SS	46	36.00	37.00	55.00	62.75	49.00	20.75	35.00	16.00	30.00	44.50		
SD	46	36.00	37.00	55.00	68.00	49.00	23.75	39.00	19.00	34.00	48.00		
MS	50	40.00	43.00	61.00	67.50	55.00	22.75	37.00	18.00	32.00	47.75		
MD	50	40.00	43.00	61.00	71.50	55.00	27.75	40.00	23.00	35.00	50.50		
LS	54	44.00	47.00	65.00	69.00	59.00	23.75	37.00	19.00	32.00	49.00		
LD	54	44.00	47.00	65.00	75.50	59.00	28.75	42.00	24.00	37.00	53.50		
WITH BOOKCASE TOPS													
CMP	83	35.00	30.00										
SS	89	35.00	37.00										
SD	89	35.00	37.00										
MS	94	36.00	40.00										
MD	94	36.00	40.00										
LS	94	32.00	42.00										
LD	94	32.00	42.00										

ADJUSTABLE OPENING RANGES

MODEL	HEIGHT RANGE	WIDTH RANGE	Up to Depth
CMP	25" to 28"	21" to 28"	13
SS	28" to 34"	28" to 35"	15"
SD	28" to 34"	28" to 35"	18"
MS	32" to 38"	35" to 41"	17"
MD	32" to 38"	35" to 41"	22
LS	36" to 42"	40" to 45"	18"
LD	36" to 42"	40" to 45"	23

RAISED HEARTHES ARE 5" TALL, AND ADD 5" TO "A" WHEN COMBINED WITH A CABINET OR CORNER.

RAISED HEARTHES HAVE THE SAME "D" AND "F" DIMENSIONS AS CABINET/CORNER, AND PROTRUDE OUT IN FRONT OF UNIT 5".