



## Mantel Collection

Standard  
Universal  
Profile

Breckenridge Premium 32 Firebox with Matte Black Frame, Louvers, and Hood shown with optional Matte Black Door Frame and Arch Door shown with Cherry Standard Corner Mantel



Warm Up To White Mountain Hearth

# The Start of a Great Mantel



**Furniture-grade cabinetry components and 3/4-inch real wood moldings ensure lasting beauty**

Empire Comfort Systems proudly introduces the White Mountain Hearth collection of Standard and Universal Mantels.

Empire's craftsmen (and women) build each mantel from 3/4-inch fine-furniture grade cabinetry components, including MDF wrapped in select hardwood veneers. Because this natural wood can vary in appearance, we grain-matched the components for each mantel, to ensure you get a great looking mantel.

Each mantel is detailed in matching solid wood trim – in oak or poplar. The full 3/4-inch cove moldings and edge trim add structural integrity. Matching decorative trim pieces – in complementary sizes – add beauty and character.

Special tooling and a controlled environment allow our craftsmen to assemble your mantel with greater precision and tighter joints than all but the most skilled custom woodworkers can achieve.



**Our dark oak finish adds a touch of formality and warmth and makes your fireplace the focal point of any room.**

## **The Perfect Finish**

White Mountain Hearth mantels are hand sprayed and then hand rubbed with specially formulated UV-cure finish that's more durable and more uniform than brush-on finishes. All the components for your mantel are finished at the same time, by the same craftsman, using the same batch of finish.

Oak-trimmed mantels can be ordered in traditional dark oak or

with a light oak finish perfect for modern, airy spaces. Our warm, rich cherry finish – applied over our hardwood veneer and solid wood trim mantel – brings out every detail in the wood grain and molding. Many designers prefer cherry finish for its ability to "color" a room and adapt to changing light.

Our versatile white finish – also applied over our hardwood veneer and solid wood trim mantel – acts as the perfect artist's pallet for modern and traditional settings. Use accent colors and fireplace trim to make your fireplace suit the season or your mood.

For custom installations consider our unfinished oak and unfinished hardwood mantels. Crafted from fine-grain poplar veneers with poplar trim. They are stainable, not just paint-grade.

# Which Mantel Should You Choose?



## Standard Cabinet and Corner Cabinet Mantels

- Available in Cabinet Mantels and Corner Cabinet Mantels in 32-inch, 36-inch, and 42-inch
- More Compact than Universal Mantels
- Built-in Base
- Fits White Mountain Hearth Fireplaces without Modification



## Universal Mantels

- Full, Flush, and Corner\* in 32-inch, 36-inch, and 42-inch
- Fits White Mountain Hearth Fireplaces
- Fits Most Other Fireplaces by Straight-cutting Two Sliding Panels
- Large Full Bases (optional)\*
- Allows Use of Laminates or Other 3/4-inch Thick Materials (marble, granite, tile, etc.)

\* No bases or corner models for Universal 42 Mantels.



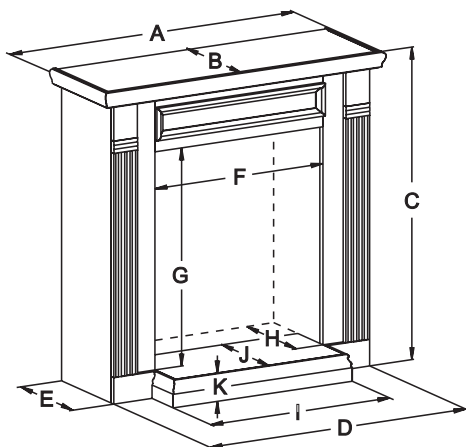
## Profile Series Mantels and Mantelshelves

- Flush Mantels in 48-inch and 52-inch and Mantelshelves in 48-inch, 60-inch and 72-inch
- Requires Tile, Stone, or Other Non-combustable Surround
- Ideal for New Construction and Remodeling
- Primed or Unfinished Hardwood
- Several Styles Available
- Reversible Pilasters for Fluted or Smooth Style on some models
- Install As Is or Add Your Own Decorative Wood Details - Roping, Moldings, Appliqués
- Add Plinths for a Taller Mantel or Cut the Pilasters for a Shorter Mantel

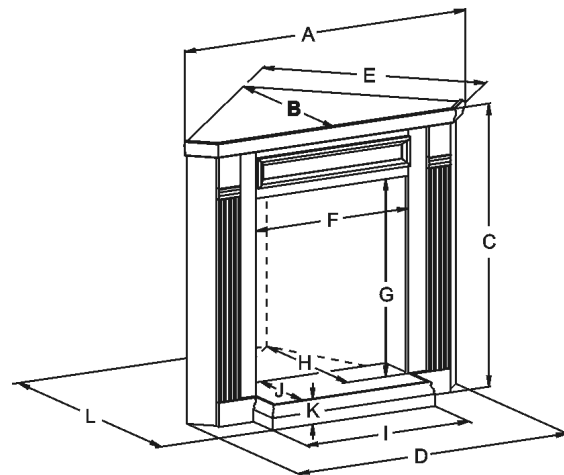
# Standard Mantel Dimensions

Standard	A	B	C	D	E	F	G	H	I	J	K	L	Fits
Full													
<b>EMF-20</b>	41 3/4	8 1/2	36 1/2	38 1/4	7 3/8	26 1/2	22 5/8	6 3/4	28 3/4	13 1/8	3 1/2		Taos
<b>EMF-22</b>	38 3/8	13 1/4	38 1/2	35	12 3/8	23	26 3/4	11 3/4	24 1/2	17 3/8	3 1/4		VF24FP
<b>EMBF-1S</b>	56 3/4	22 1/4	51 3/8	49	19 1/8	34 1/2	33 3/4	18 1/2	38 1/2	22 1/2	3 1/4		VFD32FB/DVD32FP/VFP32FP
<b>EMBF-2S</b>	60 3/4	22 1/4	51 3/8	53	19 1/8	38 1/2	33 3/4	18 1/2	42 1/2	22 1/2	3 1/4		DVD36FP
<b>EMBF-3S</b>	62 3/4	25 3/4	53 3/8	55	22 5/8	40 1/2	35 3/4	22	44 1/2	22 1/2	3 1/4		VFD36FB/DVP36FP
<b>EMBF-4S</b>	66 3/4	25 3/4	53 3/8	59	22 5/8	44 1/2	35 3/4	22	48 1/2	22 1/2	3 1/4		VFD42FB/DVD42FP/DVP42FP
<b>EMBF-5S</b>	56 3/4	27 3/4	56 5/8	49	24 5/8	34 1/2	39	24	38 1/2	22 1/2	3 1/4		VFP32FB/VFS32FB
<b>EMBF-6S</b>	62 3/4	27 3/4	56 5/8	55	24 5/8	40 1/2	39	24	44 1/2	22 1/2	3 1/4		VFP36FB/VFS36FB
<b>EMBF-7S</b>	66 3/4	27 3/4	56 5/8	59	24 5/8	44 1/2	39	24	48 1/2	22 1/2	3 1/4		VFP42FB/VFS42FB
<b>EMBF-8S</b>	62 3/4	22 1/4	53 3/8	55	19 1/8	40 1/2	35 3/4	18 1/2	44 1/2	22 1/2	3 1/4		VFP36FP
Corner													
<b>EMC-20</b>	46 1/4	26 3/8	36 1/2	44 1/8	32 5/8	26 1/2	22 5/8	25	28 3/4	11 3/4	3 1/2	31 1/4	Taos
<b>EMC-22</b>	42 1/2	24 5/8	38 1/2	40 5/8	30 1/8	23	26 3/4	23 1/4	24 1/2	11 7/8	3 1/4	28 7/8	VF24FP
<b>EMBC-1S</b>	63	37 1/4	51 3/8	57 3/4	44 1/2	34 1/2	33 3/4	33 1/2	38 1/2	20 3/4	3 1/4	40	VFD32FB/DVD32FP/VFP32FP
<b>EMBC-2S</b>	67	39 1/4	51 3/8	61 3/4	47 3/8	38 1/2	33 3/4	35 1/2	42 1/2	20 3/4	3 1/4	42	DVD36FP
<b>EMBC-3S</b>	69	40 1/4	53 3/8	63 3/4	48 3/4	40 1/2	35 3/4	36 1/2	44 1/2	20 3/4	3 1/4	43	VFD36FB/DVP36FP
<b>EMBC-4S</b>	73	42 1/4	53 3/8	67 3/4	51 5/8	44 1/2	35 3/4	38 1/2	48 1/2	20 3/4	3 1/4	45	VFD42FB/DVD42FP/DVP42FP
<b>EMBC-5S</b>	66 3/8	40 3/4	56 5/8	61 1/4	47	34 1/2	39	37	38 1/2	20 3/4	3 1/4	43 5/8	VFP32FB/VFS32FB
<b>EMBC-6S</b>	72 3/8	43 3/4	56 5/8	67 1/4	51 1/4	40 1/2	39	40	44 1/2	20 3/4	3 1/4	46 5/8	VFP36FB/VFS36FB
<b>EMBC-7S</b>	76 3/8	45 3/4	56 5/8	71 1/4	54 1/8	44 1/2	39	42	48 1/2	20 3/4	3 1/4	48 5/8	VFP42FB/VFS42FB
<b>EMBC-8S</b>	69	40 1/4	53 3/8	63 3/4	48 3/4	40 1/2	35 3/4	36 1/2	44 1/2	20 3/4	3 1/4	43	VFP36FP

**EMBF & EMF**

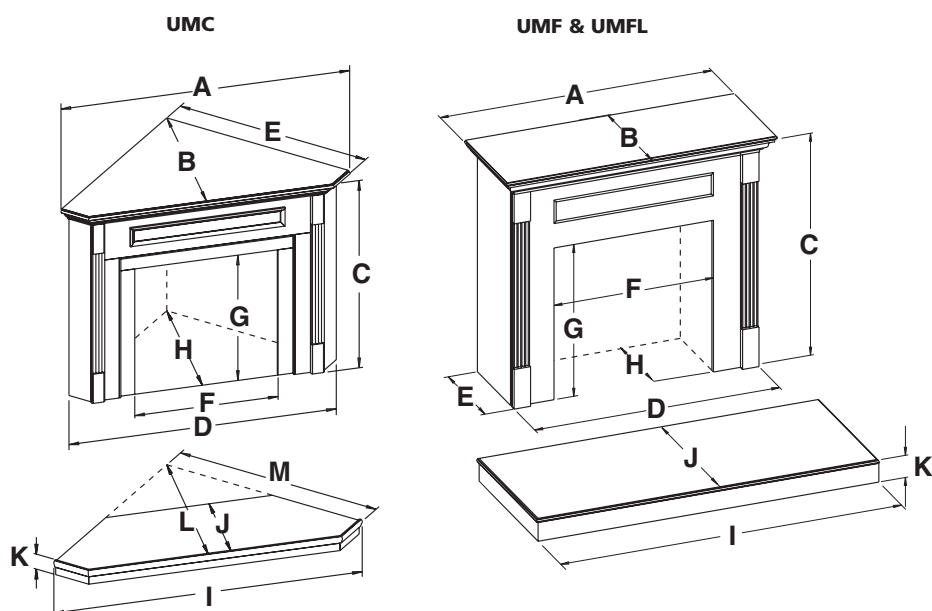


**EMBC & EMC**



# Universal Mantel Dimensions

Outside Dimensions						Opening			Mantel Weight	Matching Base
						Width Min/Max	Height Min/Max			
Full Mantels	<b>A</b>	<b>B</b>	<b>C</b>	<b>D</b>	<b>E</b>	<b>F</b>	<b>G</b>	<b>H</b>	(lb)	
<b>UMF-32</b>	64 7/8	22 1/4	52 5/8	57 1/4	19 3/8	<b>33 to 41</b>	<b>29 3/4 to 37 1/4</b>	17 1/4	166	UBF-32
<b>UMF-36</b>	68 7/8	27 1/2	54 5/8	61 1/4	24 5/8	<b>37 to 45</b>	<b>31 3/4 to 39 1/4</b>	23	187	UBF-36
<b>UMF-42</b>	74 7/8	28 1/2	56 5/8	67 1/4	25 5/8	<b>43 to 51</b>	<b>33 3/4 to 41 1/4</b>	24	212	N/A
Outside Dimensions						Max. Opening Min/Max			Mantel Weight	Matching Base
Flush Mantels	<b>A</b>	<b>B</b>	<b>C</b>	<b>D</b>	<b>E</b>	<b>F</b>	<b>G</b>	<b>H</b>	(lb)	
<b>UMFL-32</b>	64 7/8	6 3/4	52 5/8	58 1/2	3 1/8	<b>33 to 41</b>	<b>29 3/4 to 37 1/4</b>		122	UBFL-3236
<b>UMFL-36</b>	68 7/8	6 3/4	54 5/8	62 1/2	3 1/8	<b>37 to 45</b>	<b>31 3/4 to 39 1/4</b>		130	UBFL-3236
<b>UMFL-42</b>	74 7/8	6 3/4	56 5/8	68 1/2	3 1/8	<b>43 to 51</b>	<b>33 3/4 to 41 1/4</b>		140	N/A
Outside Dimensions						Max. Opening Min/Max			Mantel Weight	Matching Base
Corner Mantels	<b>A</b>	<b>B</b>	<b>C</b>	<b>D</b>	<b>E</b>	<b>F</b>	<b>G</b>	<b>H</b>	(lb)	
<b>UMC-32</b>	71	40 7/8	52 5/8	66 3/4	50 1/4	<b>33 to 41</b>	<b>29 3/4 to 37 1/4</b>	36 3/8	145	UBC-3236
<b>UMC-36</b>	75	42 7/8	54 5/8	69 3/4	53	<b>43 to 45</b>	<b>31 3/4 to 39 1/4</b>	38 3/8	159	UBC-3236
Base Dimensions						Base Weight				
Full Base	<b>I</b>	<b>J</b>	<b>K</b>	<b>L</b>	<b>M</b>	(lb)				
<b>UBF-32</b>	69 1/4	28 5/8	4			68				
<b>UBF-36</b>	69 1/4	34 5/8	4			74				
Flush Base	<b>I</b>	<b>J</b>	<b>K</b>							
<b>UBFL-3236</b>	69 1/4	12 5/8	4			27				
Corner Base	<b>I</b>	<b>J</b>	<b>K</b>	<b>L</b>	<b>M</b>					
<b>UBC-3236</b>	75 5/8	24	4	44 9/16	53 5/8	64				



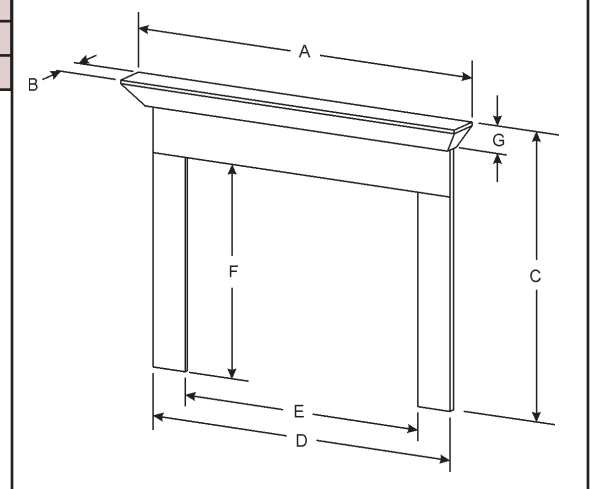
# Profile Mantels and Mantelshelves



Profile mantel with raised panel, fluted pilasters, and solid plinths. Ships unfinished or primed. Stain and slate tiles supplied by installer. Shown with a White Mountain Hearth Deluxe Direct-Vent Fireplace trimmed in brass decorative louvers, window trim, and outer frame.

## Mantel Dimensions (in inches)

	MFL-48 (B, D, P)	MFL-48-T	MFL-52 (B, D, P)	MFL-52-T		MS-48	MS-60	MS-72
A	72 1/2	72 1/2	71 1/2	72 1/2	A	48 1/2	60 1/2	72 1/2
B	6 5/8	6 5/8	6 5/8	6 5/8	B	6 5/8	6 5/8	6 5/8
C	54 1/4	74 1/4	56 1/4	74 1/4	G	5 1/4	5 1/4	5 1/4
D	60 1/2	60 1/2	64 1/2	64 1/2				
E (with trim)	48 (46 3/4)	48	52 (50 3/4)	52				
F (with trim)	40 (39 5/8)	59 3/8	42 (41 5/8)	59 3/8				



# Profile Mantels and Mantelshelves



Profile Mantel with Bead Trim, Custom Cherry finish and tile. Shown with a White Mountain Hearth Deluxe Direct-Vent Fireplace trimmed in black decorative louvers and outer frame.



Standard Profile Mantel shown with Upper Tier



Profile Mantel with Applique shown with Custom Paint



Profile Mantel with Rectangle Trim

## Mantelshelf Designs



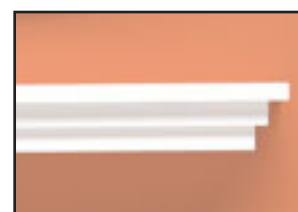
Standard



Dentil Trim



Small Crown



Multistep

# Custom Mantels

## Our Mantels, Built to Your Specifications

Our custom mantels let you match the style, moldings, materials, and finishes to your home's décor – whether you need flush, full, or corner mantels, or mantelshelves. Our mantel shop uses the same precision cutting and assembly techniques that ensure exceptional fit and finish on our manufactured mantels.

- Quotes in 5 days
- Delivery in 10 days
- Competitive Pricing

Call for details 800-851-3153



Custom "Eurostyle" mantel in maple finish with Deluxe 36-inch Direct-Vent Fireplace trimmed in Stainless Steel Outer Frame, Stainless Steel Window Trim and Stainless Steel Mission Louvers.

Member of the following industry associations:



The appliances shown are  
design-certified to the ANSI  
standard by:



Empire Comfort Systems

Warm Up To White Mountain Hearth

Empire Comfort Systems, Inc. • 918 Freeburg Ave. • Belleville, IL 62222-2623  
618-233-7420 • 800-851-3153 • FAX 618-233-7097 • 800-443-8648  
• e-mail: info@empirecomfort.com

Empire Comfort Systems is committed to continuous product improvement; specifications are subject to change without notice. Flame size, shape, and color will vary from photos. Our mantels feature natural veneers and hand-rubbed finishes - wood grain and color will vary. Adjust lightlevels and use "natural light" incandescent bulbs to enhance the dramatic look for your wooden mantel.

WMH-50 Rev.A 1/07